



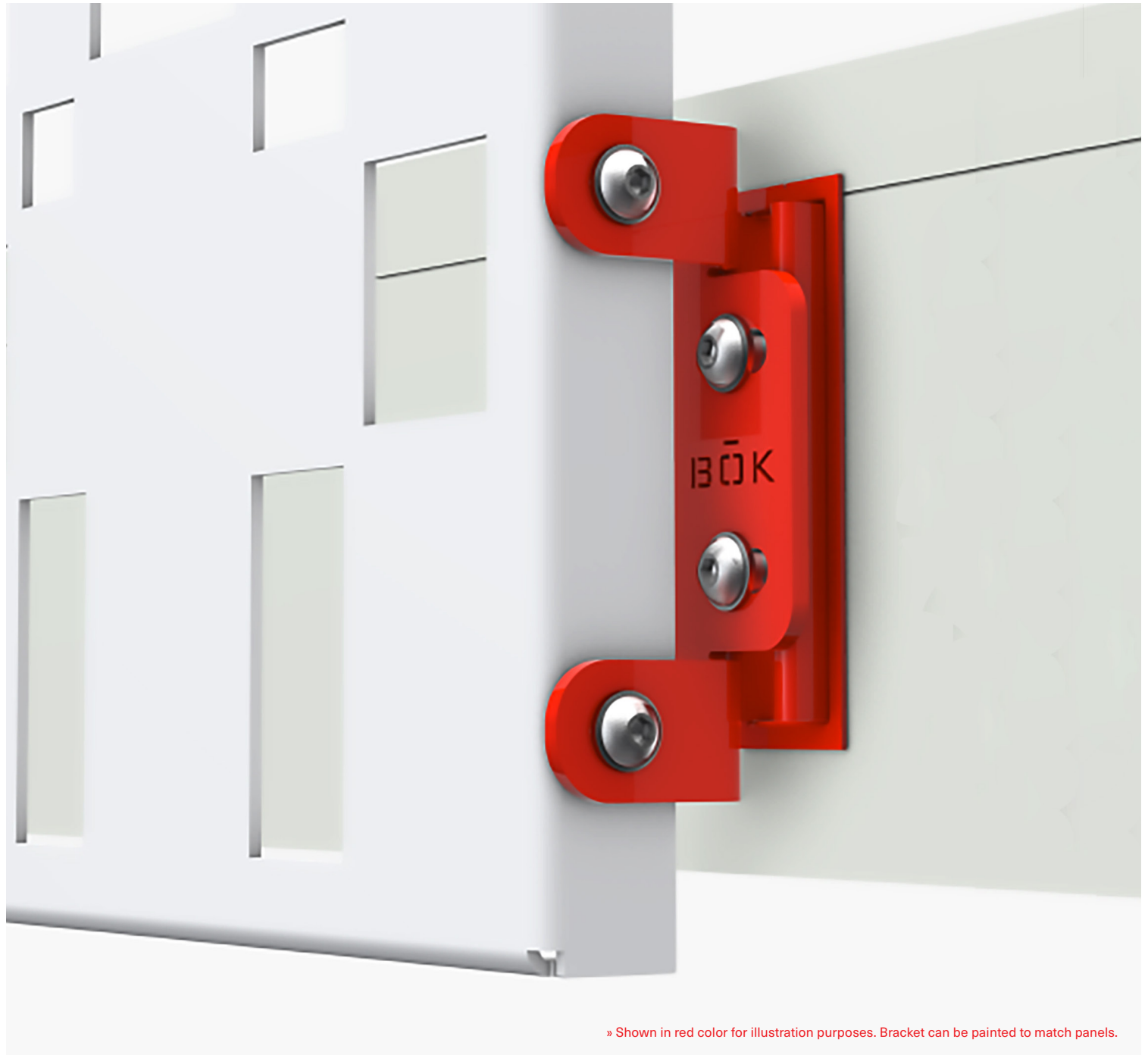
UNIVERSAL BRACKET

SIMPLE, EFFICIENT, FLEXIBLE

The BÖK Modern's patented Universal Bracket is a simplified solution for mounting most of our architectural panel systems. It's innovative design allows for fast and easy installation while providing a wide range of adjustability for field tolerances. Suitable applications includes (but not limited to) mounting stair and balcony guardrails, as well as wall and parking garage screens to wood, steel and concrete substrates. The distinct two-part design consists of part "A" mounting base, and a part "B" adjustable bracket, which together solve multiple installation issues:

DISCLAIMER

The Universal Bracket is designed only to anchor the posts to whatever substrate it is attached to (e.g. rim joist, blocking, fascia, etc.). The superstructure (which would include the rim and its anchorage) is the responsibility of the building Engineer of Record. Due to the impact on the main building, all substrate finish and waterproofing is outside our scope.



» Shown in red color for illustration purposes. Bracket can be painted to match panels.

UNIVERSAL BRACKET

TRULY UNIVERSAL

Our timesaving, cost effective brackets can be purchased for BOK Modern's guardrails or separately for other guardrail types.



Glass balcony guardrail



Picket balcony guardrail



Cable balcony guardrail



BOK balcony guardrail

BOKMODERN.COM

For any questions please call
415.749.6500 X 295

UNIVERSAL BRACKET

SOLUTION FOR MULTIPLE INSTALLATION ISSUES:

FIELD TOLERANCE

The 2 part bracket allows for a full range of flexibility in the field as it is adjustable in both the vertical and horizontal direction, can rotate up to 34 degrees, and can be adjusted in and out from the mounting surface, eliminating the need for precise bracket placement.

SIMPLIFIED STRUCTURAL ATTACHMENT

The flat mounting plate with recessed #12 screws does not require any notching or recessing into the plywood substrate. This 'folded' plate allows for directly securing to the rim joist eliminating costly and time consuming hold-downs or thru bolting and the associated additional framing.

MINIMAL WATERPROOFING

The flat plate is easily flashed over, much like a nail-on window fin, as well as an integral J mold eliminating additional flashing and associated caulking.

MATERIAL

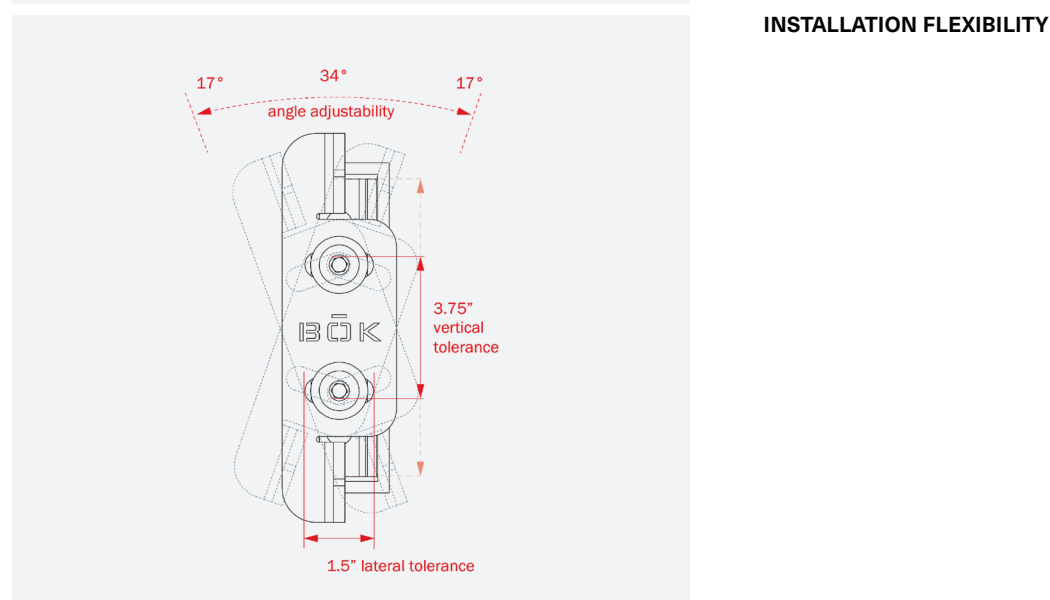
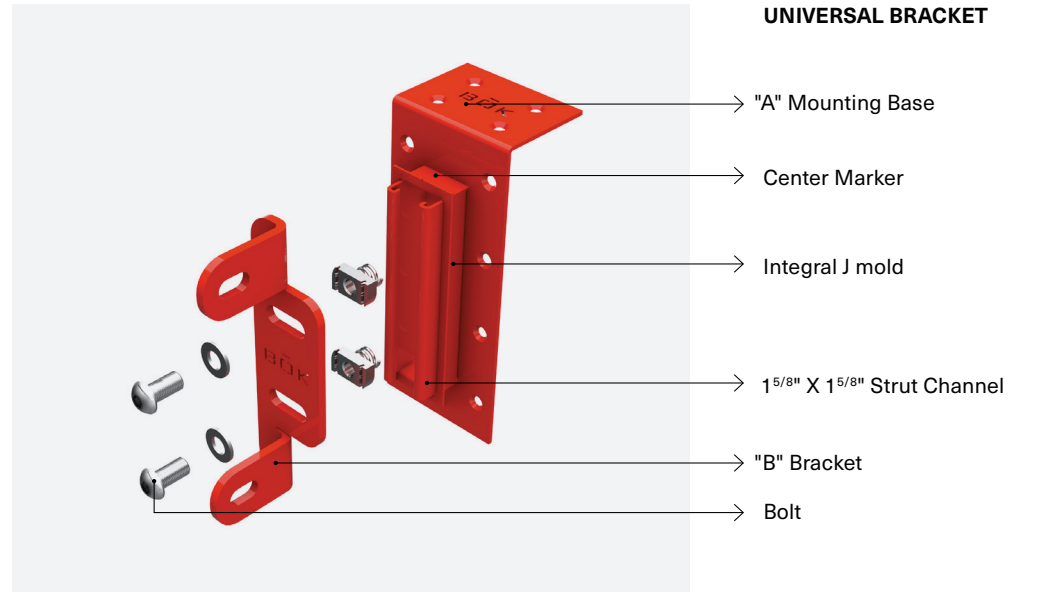
Stainless Steel

FINISH

Powder Coat

BOKMODERN.COM

For any questions please call
415.749.6500 X 295



UNIVERSAL BRACKET

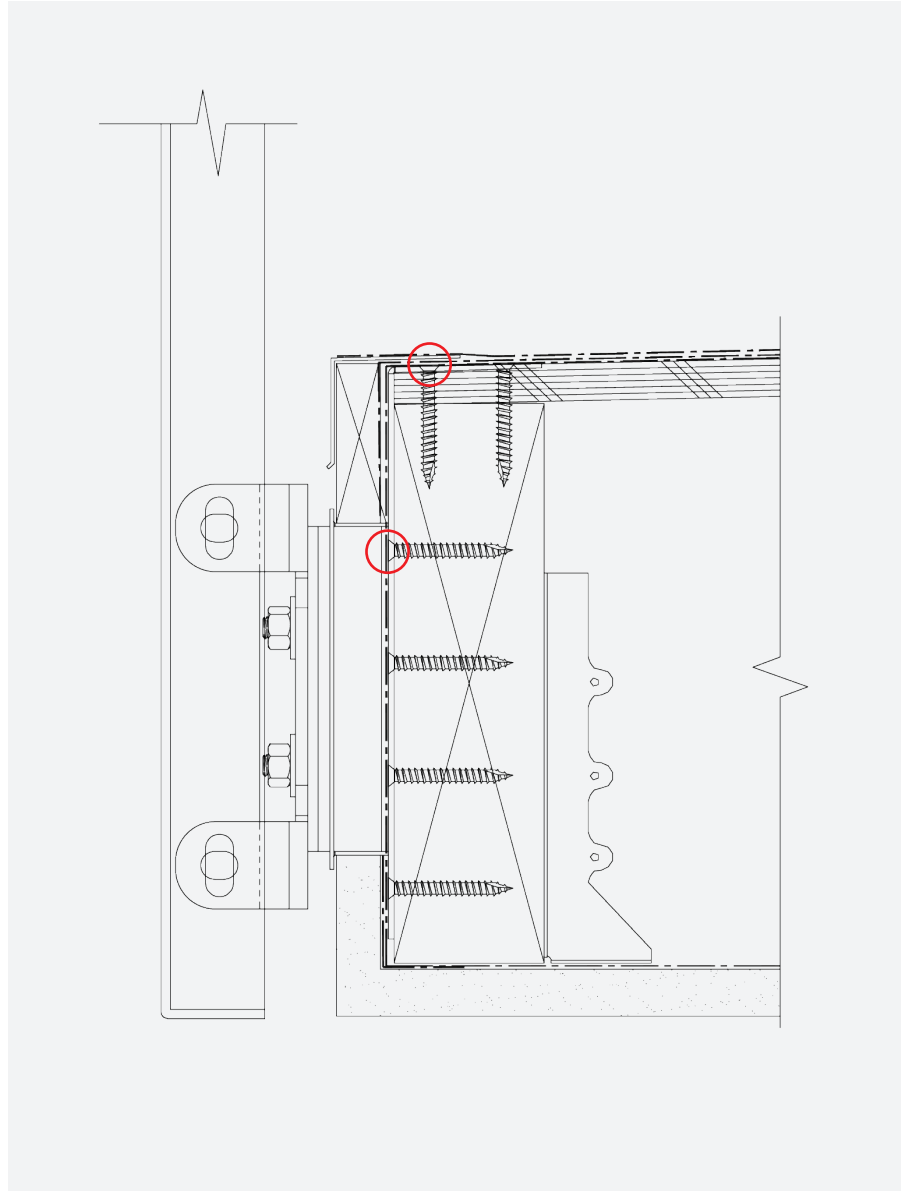
DETAIL COMPARISON

BÖK Modern Universal Bracket can save your installation labor time

With the “folded” plate shape, the BÖK Modern Patent Pending Universal Bracket (U.S. Pat. No. 10,590,644) is designed to be secured on both the face and the top of the structure. This configuration allows the bracket to be self-supported and eliminates the need for additional “hold-down” type hardware which gives very little allowance for error in positioning the bracket. Face mounting means the bracket can be installed after the framing is completed, granting greater flexibility in building sequencing.

BOKMODERN.COM

For any questions please call
415.749.6500 X 295

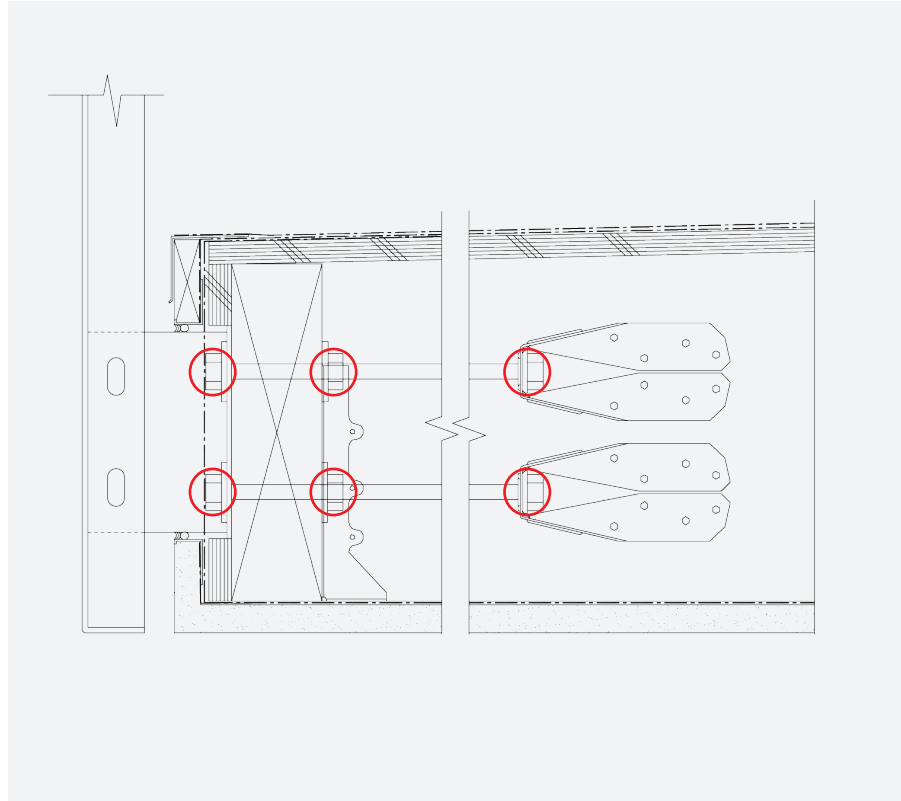


UNIVERSAL BRACKET ASSEMBLY DETAIL

The 2 part bracket allows for a full range mounting base screwed directly into structure/ blocking, no additional framing needed.

UNIVERSAL BRACKET

DETAIL COMPARISON



TYPICAL FIXED BLADE BRACKET ASSEMBLY DETAIL

BÖK's universal bracket eliminates through bolts and tie-backs which require more labor and hardware giving less flexibility in sequencing and precision.

UNIVERSAL BRACKET

INSTALLATION SEQUENCING

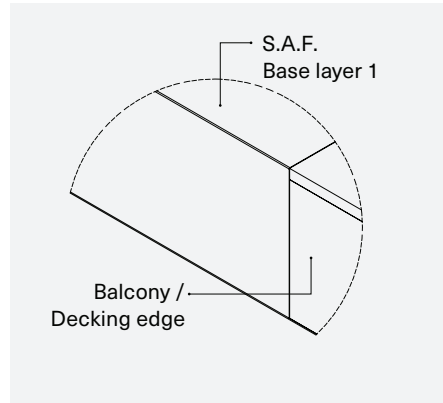
BÖK Modern offers a seamless service from design, shop drawings to delivery, coordinating with installer and general contractors ensuring a worry free and quality final product.

These drawings can not be used for the purposes of soliciting, negotiating, procuring, fabricating or otherwise obtaining quotes from other vendors. They are the sole and absolute property of BÖK Modern and may only be used by or under license from BÖK Modern.

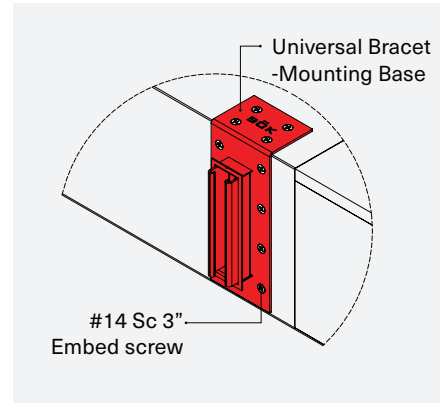
Any reproduction, distribution, modification, public display or representation of the content in these drawings, in part or as a whole, in any medium, without the prior express written consent of BÖK Modern LLC. is strictly prohibited and may result in legal action.

BOKMODERN.COM

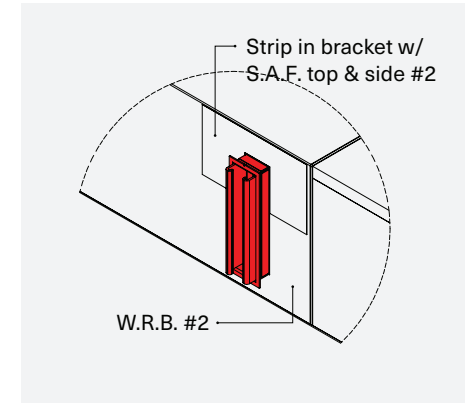
For any questions please call
415.749.6500 X 295



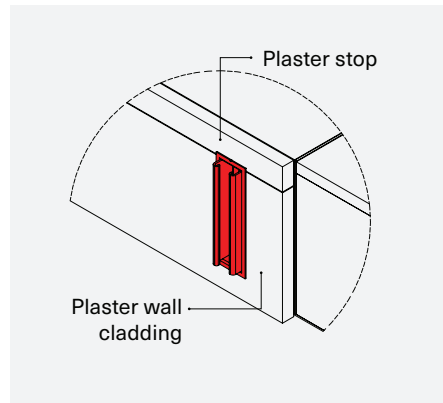
STEP 1
Waterproofing base layer



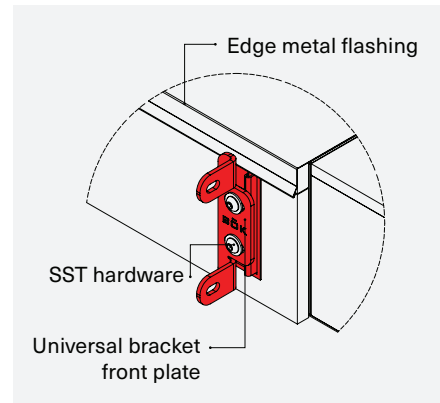
STEP 2
Mounting base onto structure



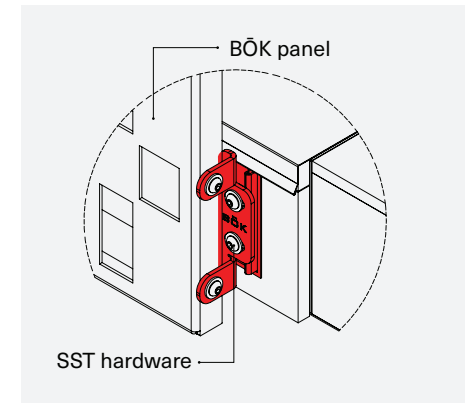
STEP 3
Waterproofing over mounting base plate



STEP 4
Finish system over base layer



STEP 5
Attach B bracket



STEP 6
Attach panel